



H SELECTION GUIDE

RS™ Series Rear Suspension Frame Hangers

LIT NO: 45745-037

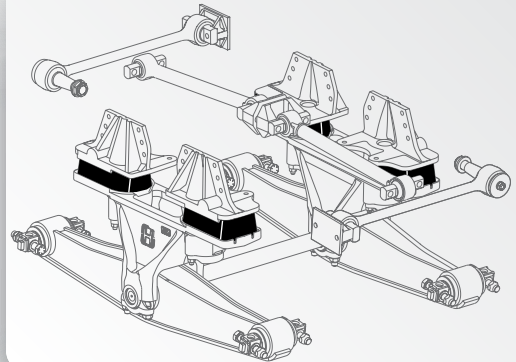
DATE: July 2014

REVISION: D

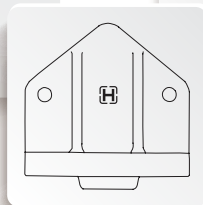
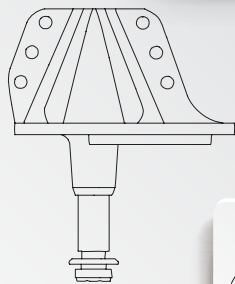
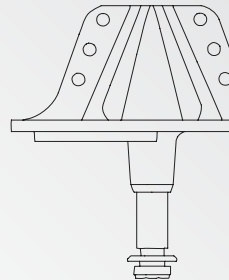
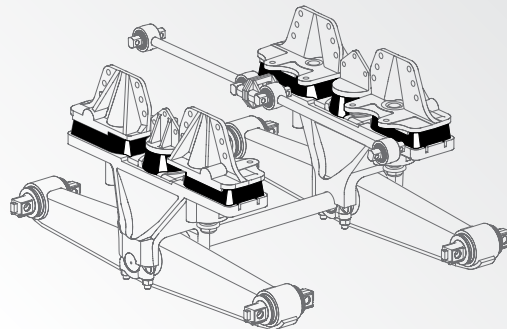
CONTENTS

DESCRIPTION	PAGE
Introduction	2
Selection Guide Instructions	2
Vehicles Built from 1990 to Present	4
Heavy-duty Frame Hanger	5

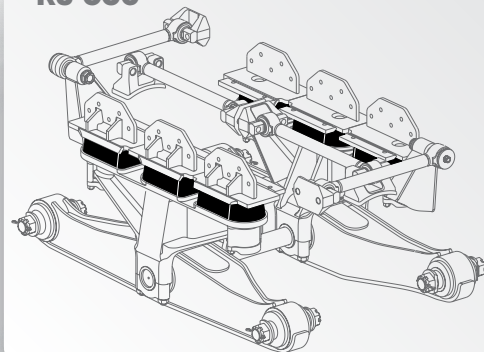
RS 400/403/460/463



RS 480/503/520/523



RS 650



■ Introduction

This RS Frame Hanger Selection Guide is intended to aid in the proper identification for aftermarket replacement of originally equipped RS drilled hangers and heavy-duty center hangers. On glider kit installations, where we do not have control of hanger usage, ensure that the proper hangers are used for the glider frame width.

Refer to Hendrickson RS Suspension Technical Lit. Nos. SP-166, 17730-064, 17730-190 and 17730-213 for additional information on proper maintenance, service, repair and rebuild instructions available on-line at www.hendrickson-intl.com

■ Selection Guide Instructions

STEP 1

Obtain the frame hanger part number.

STEP 2

Identify the truck manufacturer.

STEP 3

Measure outside to outside frame width.

STEP 4

If needed, refer to the hole diameters **Dimension "A"** and where available, the measurement taken from the bottom of the frame to the first line of holes of the hanger **Dimension "B."**

STEP 5

In some cases the vehicle manufacturer has changed the drill patterns while still using the same casting number, contact vehicle manufacturer to request specifications. Always use hole location dimensions as a final check.

NOTE

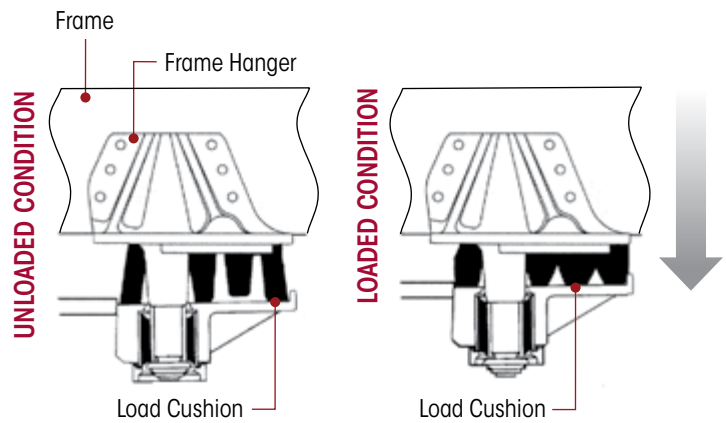
When replacing RS suspension hangers, Hendrickson recommends a minimum of a 5/8" Grade 8 bolt, Grade C locknut and hardened washers to attach frame hangers to the vehicle frame, in some vehicles the holes in the frame may need to be enlarged to accommodate 5/8" fasteners.

For any casting number or a truck manufacturer not listed, contact Hendrickson Truck Parts toll-free at 1-866-755-5968, (e-mail: truckparts@hendrickson-intl.com).



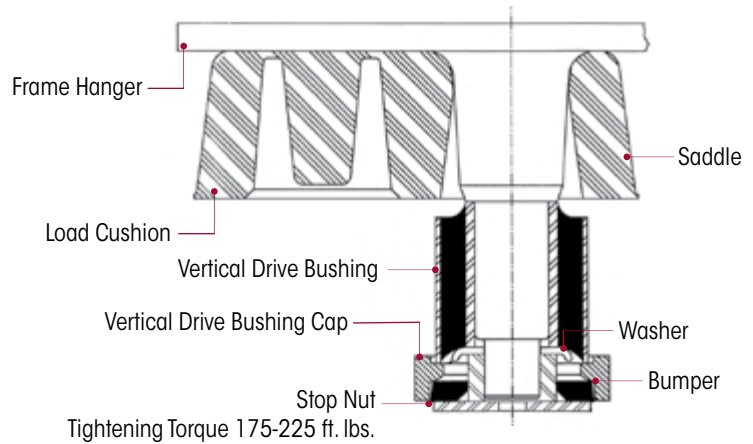
Load Cushions

The RS Series suspensions are equipped with standard four rubber load cushions. Each cushion has an inner cross bar that helps support the load when the vehicle is loaded. An empty vehicle is supported only by the outer edges of the cushions.



Vertical Drive Pin

The RS Series frame hangers have vertical drive pins that extend down through the load cushions and are secured to rubber vertical drive bushings in the saddle.



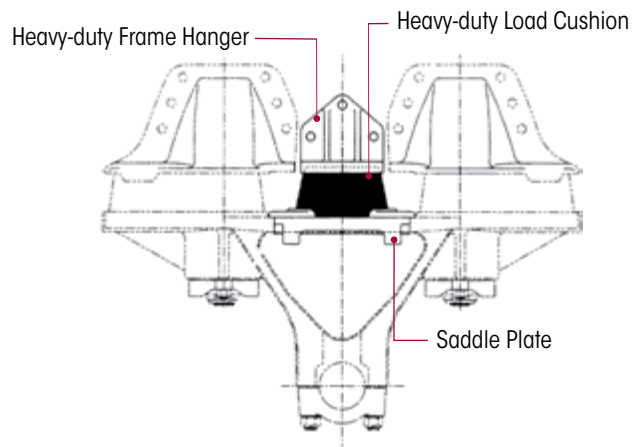
Rebound Control Stop Kit

A rebound control stop kit consisting of special stop nuts and elastomer bumpers is available to increase stability in high center of gravity or offset loading vehicles. Rebound control stop kit is optional for 40,000 through 48,000 pounds capacities and standard on 52,000 pounds units.

REBOUND CONTROL STOP KIT	
KIT NO.	
31005-001	One Side
31005-002	Both Sides

Heavy-Duty Load Cushion Kit

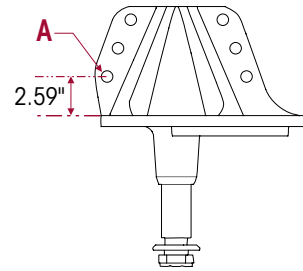
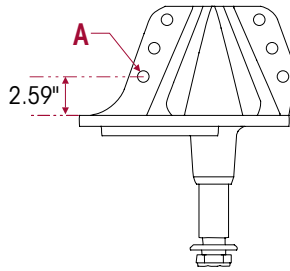
The heavy-duty load cushion kit for increased stability consists of an additional round center cushion and related frame hanger for each side of the chassis. Heavy-duty Load Cushion Kit is optional for 40,000 pounds capacities and standard on 46,000 through 52,000 pounds units.



HEAVY-DUTY LOAD CUSHION KIT	
KIT NO.	FRAME WIDTH
20681-072	34"
20681-077	34½"



Vehicles Built From 1990 to present



Left Hand Front • Right Hand Rear

Right Hand Front • Left Hand Rear

FITS FRAME WIDTH 33.94" TO 34.19" (0.09" HANGER OFFSET)

CASTING NO. 57063-000
Replaced 48219-000 in 1994

CASTING NO. 57066-000
Replaced 48221-000 in 1994

OEM	DIMENSION A (in inches)	PREVIOUS PART NO.	REPLACEMENT PART NO.	DIMENSION A (in inches)	PREVIOUS PART NO.	REPLACEMENT PART NO.
Ford • Sterling	0.83	48220-001	57065-001	0.83	48222-001	57068-001
Duplex Truck • Emergency One Freightliner • HME International Truck (Pre-1997) Kenworth • Mack • Marmon Oshkosh • Peterbilt • Peter Pirsch Pierce • Savage Mfg. • Sutphen Western Star	0.66	48220-002	57065-002	0.66	48222-002	57068-002
Peterbilt	0.66	48220-003	57065-003	0.66	48222-003	57068-003
Mack	0.69	48220-004	57065-004	0.69	48222-004	57068-004
International Truck	0.66	48220-006	57065-006	0.66	48222-006	57068-006

FITS FRAME WIDTH 34.44" TO 34.69" (0.34" HANGER OFFSET)

CASTING NO. 57057-000
Replaced 48215-000 in 1994

CASTING NO. 57060-000
Replaced 48217-000 in 1994

Ford	0.83	48216-001	57059-001	0.83	48218-001	57062-001
GM • International Truck (Pre-1997) Mack • Volvo	0.66	48216-002	57059-002	0.66	48218-002	57062-002
Peterbilt • Western Star	0.66	48216-003	57059-003	0.66	48218-003	57062-003
Freightliner	0.66	48216-004	57059-004	0.66	48218-004	57062-004
International Truck	0.66		57059-005	0.66		57062-005

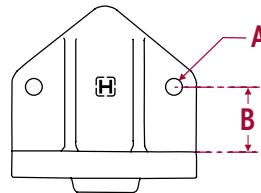
FITS FRAME WIDTH 34.75" TO 35.00" (0.50" HANGER OFFSET)

CASTING NO. 57051-000
Replaced 48211-000 in 1994

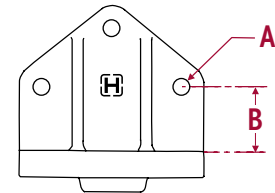
Ford • International • Sterling	0.83	48212-001	57053-001			
Mack • Osterlund • Spartan • Volvo	0.66	48212-002	57053-002			



Heavy-duty Frame Hangers



2-Bolt Design



3-Bolt Design

FITS FRAME WIDTH 33.50" (0.19" HANGER OFFSET)

CASTING NO. 49117-000

OEM	DIMENSION A (in inches)	NUMBER OF BOLTS	DIMENSION B (in inches)	PART NO.
Mack	0.66	2	2.12	49118-000

FITS FRAME WIDTH 33.94" TO 34.19" (0.09" HANGER OFFSET)

CASTING NO. 48522-000

Replaces 20780-000

Advance Mixer • Crane Carrier • Duplex Truck Freightliner (Pre 1984) • Mack • Marmon International Truck • Western Star (Pre 1988)	0.66	3	1.88	48523-001
Kenworth • International Truck • Pierce Mfg. Savage Mfg. • Western Star	0.66	3	2.25	48523-002
Freightliner • HME • Peterbilt	0.66	3	2.25	48523-003
Oshkosh	0.66	2	2.25	48523-004
Ford • Sterling	0.66	2	2.38	48523-005
Oshkosh	0.53	3	1.88	48523-006
Mack	0.66	2	2.12	48523-007

FITS FRAME WIDTH 33.44" TO 34.69" (0.34" HANGER OFFSET)

CASTING NO. 48524-000

Replaces 30088-000

Freightliner • GM • Mack • Peterbilt • Volvo	0.66	3	2.25	48525-001
International Truck	0.66	3	2.25	48525-006
International Truck	0.66	3	2.50	48525-008
Peterbilt	0.66	3	2.50	48525-009

FITS FRAME WIDTH 34.75" TO 35.00" (0.50" HANGER OFFSET)

CASTING NO. 49119-000

Ford • Sterling	0.66	2	2.36	49120-001
Ford (Pre 1983) • Osterlund • Spartan	0.66	3	2.25	49120-002

www.hendrickson-intl.com



Truck Commercial Vehicle Systems
800 South Frontage Road
Woodridge, IL 60517-4904 USA

1.866.755.5968 (Toll-free U.S. and Canada)
1.630.910.2800 (Outside U.S. and Canada)
Fax 1.630.910.2899